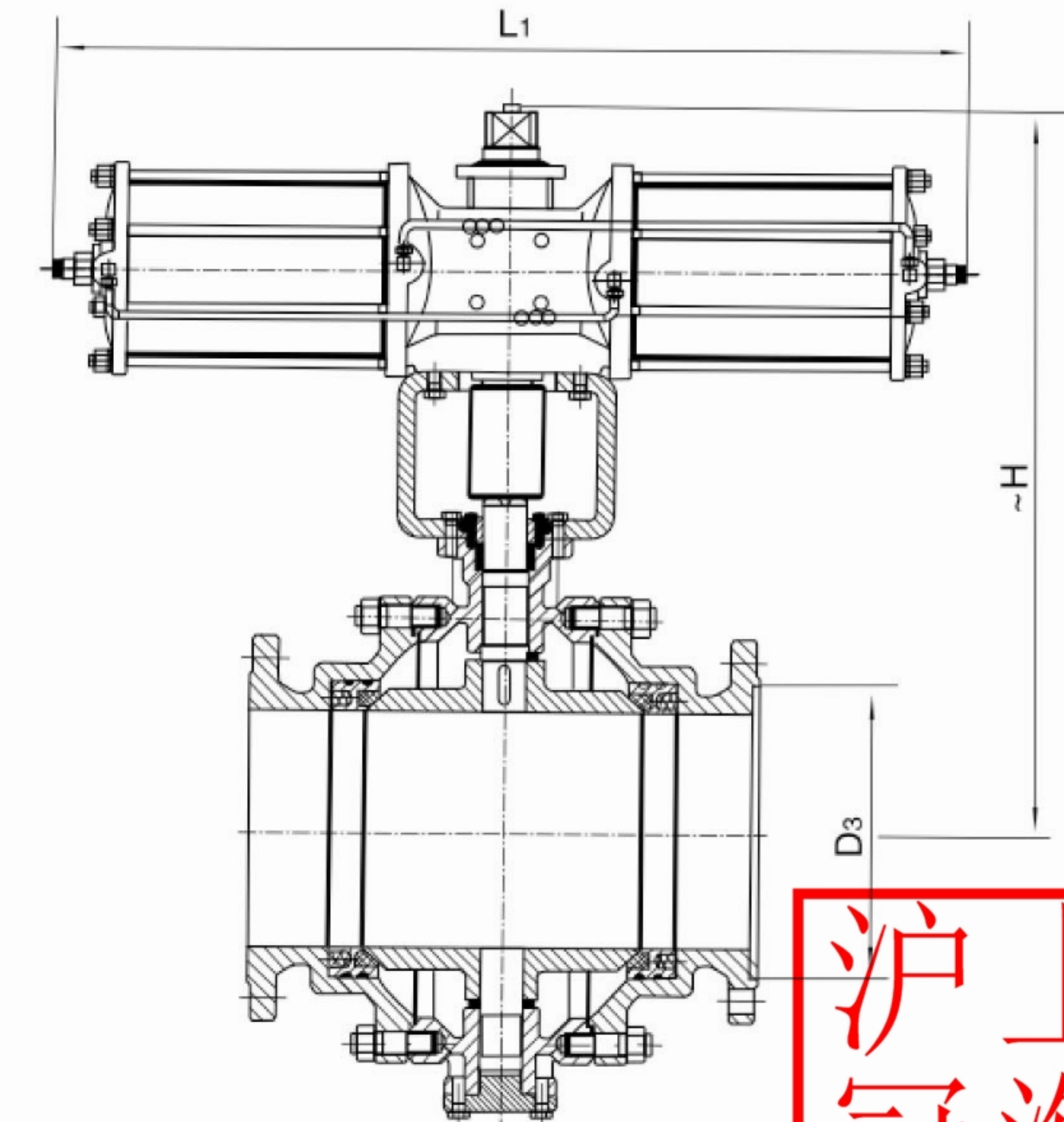
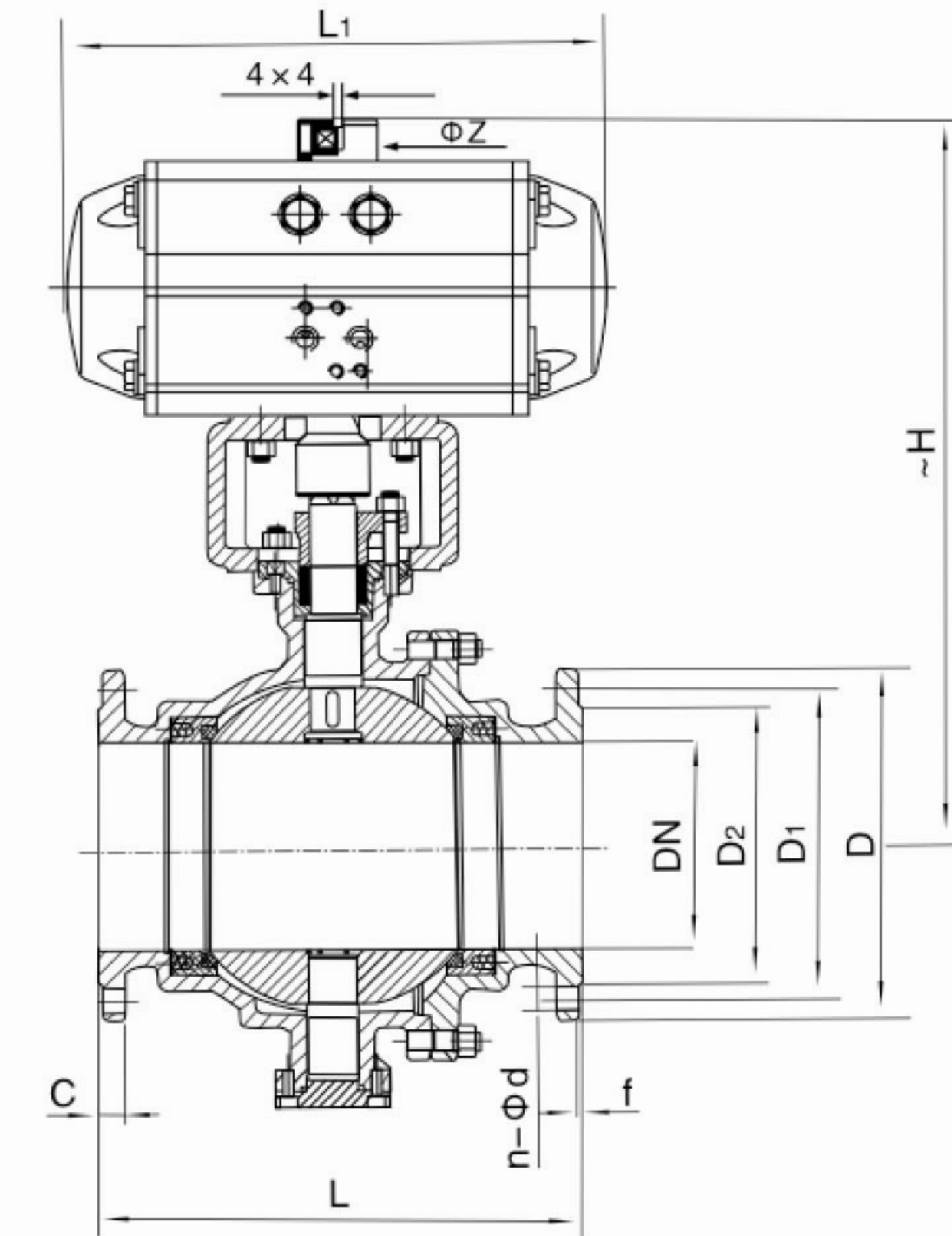


技术规范 Technique norm

设计依据 Design Basis	GB标准 Standard
设计标准 Design standard	GB/12237
结构长度 Face to face dimension	法兰 连接 Flange connecting
连接法兰尺寸 Connecting Flange Size	GB/12221
试验和检验 Test & inspection	GB/9113、JB/T79 GB/T13927、JB/T9092

※注：球阀结构长度及连接法兰尺寸可根据用户要求设计制造。
Note: The structural length and connecting flange size of ball valve series can be designed and manufactured as per users' requirements.

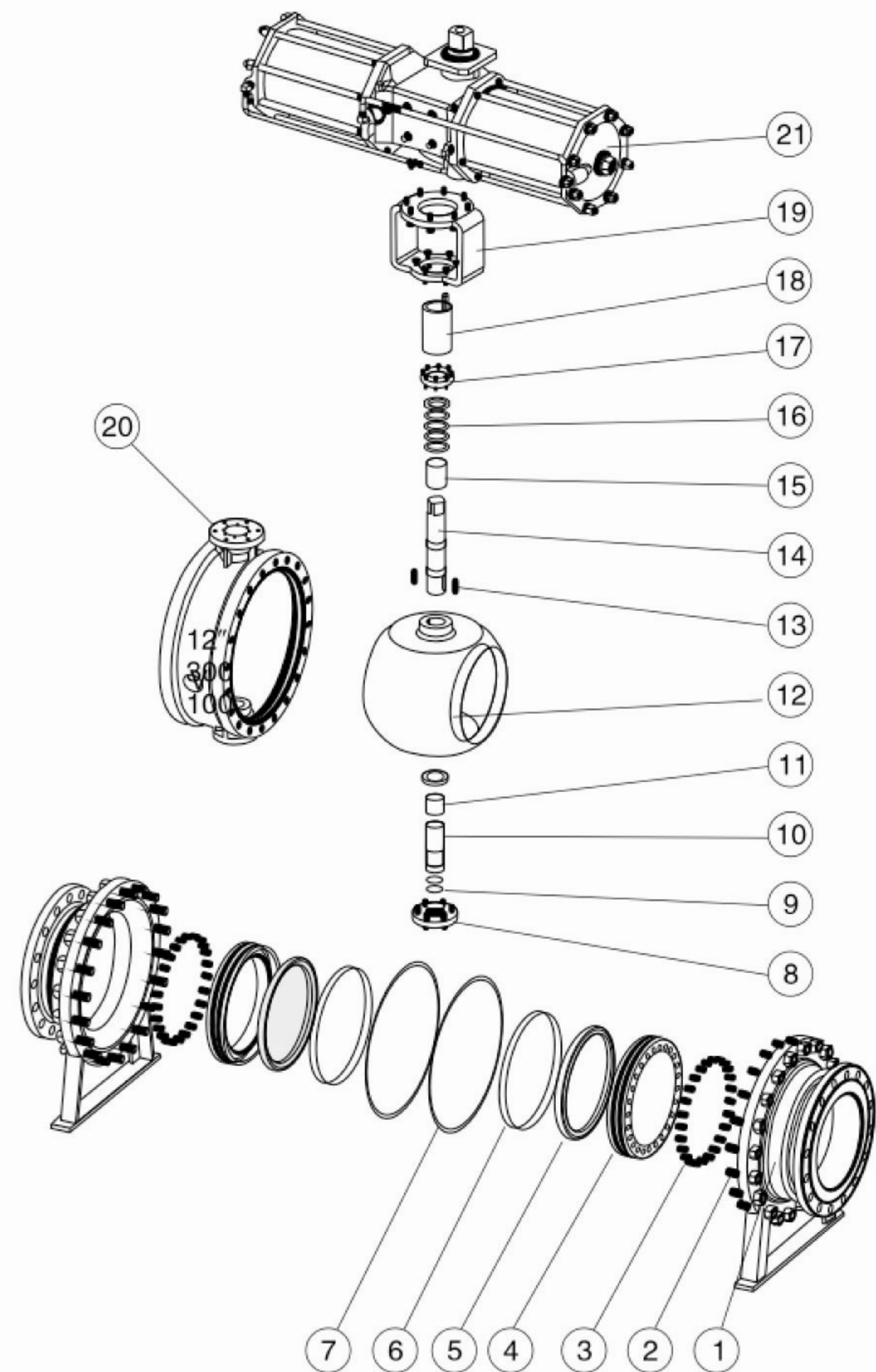


沪
上
冠
海

沪
上
冠
海

主要零件材质表 Form of Main Parts Materials

序号 No.	零件名称 Name of parts	材质 Material		
		C	P	R
1	右阀体 Right valve	WCB	ZG1Cr18Ni9Ti	ZG1Cr18Ni12Mo2Ti
2	螺栓 Screw	35	1Cr18Ni9Ti	1Cr18Ni9Ti
3	弹簧 Spring	60si2Mn	1Cr18Ni9Ti	1Cr18Ni12Mo2Ti
4	阀座 Seat	25或1Cr13	1Cr18Ni9Ti	1Cr18Ni12Mo2Ti
5	密封圈 Sealing ring	PTFE、尼龙(Nylon)、对位聚苯(PPL) 硬质合金 Hard Alloy		
6	O形圈 "O" Ring	橡胶Rubber、氟橡胶Viton		
7	垫片 Gasket	PTFE、石墨金属复合垫 Graphite metal composite pad		
8	法兰 Flange	WCB	1Cr18Ni9Ti	1Cr18Ni12Mo2Ti
9	垫片 Gasket	1Cr18Ni9Ti	1Cr18Ni9Ti	1Cr18Ni12Mo2Ti
10	下阀杆 Stem	1Cr13	1Cr18Ni9Ti	1Cr18Ni12Mo2Ti
11	衬套 Bushing	PTFE复合轴承 Composite bearings		
12	球体 Ball	1Cr18Ni9Ti	1Cr18Ni9Ti	1Cr18Ni12Mo2Ti
13	键 Key	35	1Cr18Ni9Ti	1Cr18Ni12Mo2Ti
14	阀杆 Stem	1Cr13	1Cr18Ni9Ti	1Cr18Ni12Mo2Ti
15	衬套 Bushing	PTFE复合轴承 Composite bearings		
16	填料 Packing	PTFE、柔 石墨 Flexible Graphite		
17	填料压盖 Gland	WCB	1Cr18Ni9Ti	1Cr18Ni12Mo2Ti
18	连接套 Connecting Set	35	35	1Cr18Ni9Ti
19	支架 Yoke	WCB	WCB	1Cr18Ni9Ti
20	阀体 Body	WCB	ZG1Cr18Ni9Ti	ZG1Cr18Ni12Mo2Ti
21	气动执行器 Pneumatic Actuator	GT系列、AT系列、AW系列 GT Series, AT Series, AW Series		



主要外形及连接法兰尺寸 Q647F(N、P、H、Y)-PN16(1.6MPa) Main Outline and Connecting Flange Size

公称通径 Nominal diameter DN	外形尺寸 Outline Size			连接法兰尺寸 Connecting Flange Size					执行器型号 Actuator Model	
	L	L1	-H	D	D1	D2	C	f		n-φd
50	178	211/315	323/348	165	125	99	20	3	4-φ18	AT075D/AT100S
65	190	248/269	363/388	185	145	118	20	3	4-φ18	AT088D/AT100S
80	203	269/345	408/430	200	160	132	20	3	8-φ18	AT100D/AT125S
100	229	345/438	470/527	220	180	156	22	3	8-φ18	AT125D/AT160S
125	356	409/550	537/625	250	210	184	22	3	8-φ18	AT145D/AT190S
150	394	438/600	577/655	285	240	211	24	3	8-φ22	AT160D/AT210S
200	457	600/633	695/730	340	295	266	24	3	12-φ22	AT210D/AT240S
250	533	633/730	762/792	405	355	319	26	3	12-φ26	AT240D/AT270S
300	610	1180	808	460	410	370	28	4	12-φ26	AW20/AW25S
350	686	1180	916	520	470	429	30	4	16-φ26	AW20/AW28S
400	762	1320	970	580	525	480	32	4	16-φ30	AW28/AW35S
500	914	1430	1088	715	650	609	36	4	20-φ33	AW35/AW40S

※注：球阀结构长度及连接法兰尺寸可根据JB/T79标准或用户要求设计制造。
※注：执行器型号XXX/XXX分别是气动执行器双作用式/单作用式(弹簧复位)。
※注：根据不同阀门扭矩、使用介质适配的执行器型号可能有所不同，相关尺寸随之变化。
※注：以上执行器配置及数据均采用软密封(F、N、P)阀门，硬密封阀门的配置及数据请咨询本公司。
Note: The structural length and connecting flange size of ball valve series can be designed and manufactured as per JB/T79 standard or users' requirements
Note: Data XXX/XXX represent respectively the double-acting/single-acting type(spring reposition)of pneumatic actuator
Note: The relative sizes are subject to change responding to the difference in valve torque, medium and actuator model
Note: the above actuator configuration and data all use soft-sealed valves (F, N, P) and hard-sealed valves, or consulting us if you have more questions.