

技术规范 Technique norm

设计依据 Design Basis	GB标准 Standard
设计标准 Design standard	GB/12237
结构长度 Face to face dimension	法兰连接 Flange Connecting
连接法兰尺寸 Connecting Flange Size	GB/12221
试验和检验 Test & inspection	GB/9113、JB/T79
	GB/T13927、JB/T9092

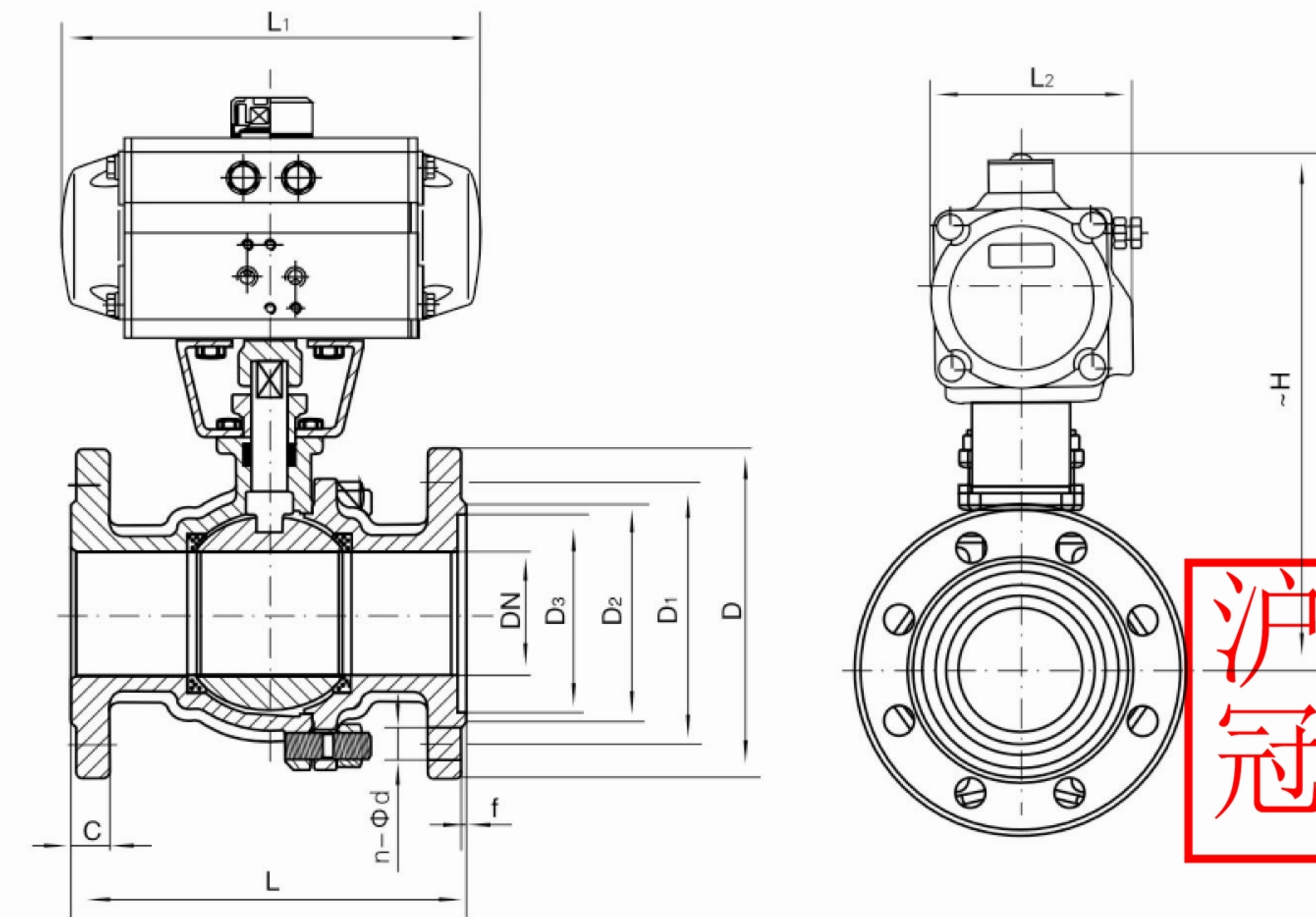
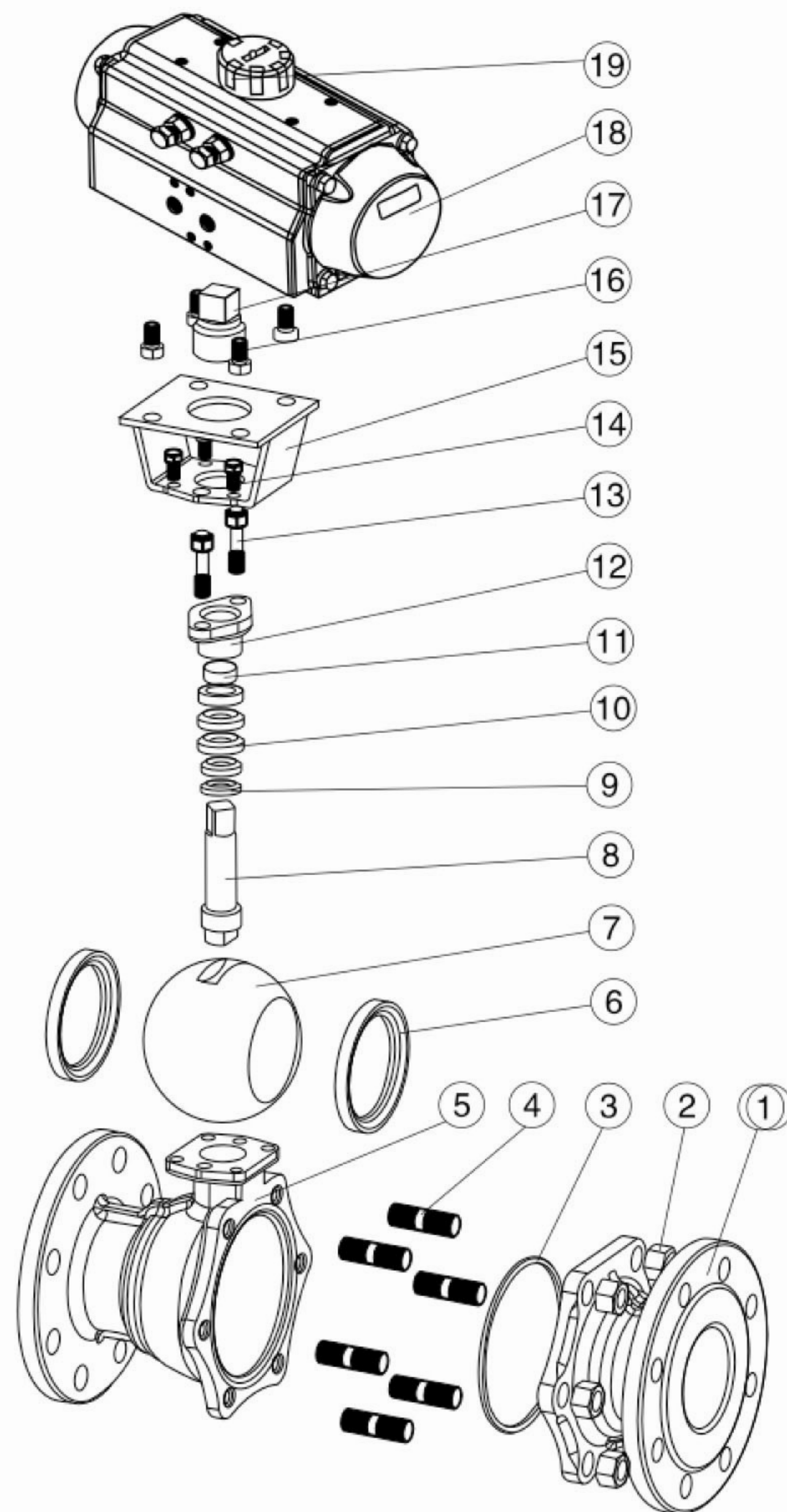
※注：球阀结构长度及连接法兰尺寸可根据用户要求设计制造。
Note: The structural length and connecting flange size of ball valve series can be designed and manufactured as per users' requirements.

主要零件材质表 Form of Main Parts Materials

序号 No.	零件名称 Name of parts	材质 Material		
		C	P	R
1	右阀体 Right valve	WCB	ZG1Cr18Ni9Ti	ZG1Cr18Ni12Mo2Ti
2	螺母 Nut	35	1Cr18Ni9Ti	1Cr18Ni9Ti
3	垫片 Gasket	PTFE、石墨金属复合垫 Graphite metal composite pad		
4	螺栓 Screw	35	1Cr18Ni9Ti	1Cr18Ni9Ti
5	阀体 Body	WCB	ZG1Cr18Ni9Ti	ZG1Cr18Ni12Mo2Ti
6	阀座 Seat	PTFE、尼龙(Nylon)、对位聚苯(PPL) 硬质合金 Hard Alloy		
7	球体 Ball	1Cr18Ni9Ti	1Cr18Ni9Ti	1Cr18Ni12Mo2Ti
8	阀杆 Stem	1Cr13	1Cr18Ni9Ti	1Cr18Ni12Mo2Ti
9	垫片 Gasket	1Cr18Ni9Ti	1Cr18Ni9Ti	1Cr18Ni12Mo2Ti
10	填料 Packing	PTFE、柔性石墨 Flexible Graphite		
11	衬套 Bushing	PTFE复合轴承 Composite bearings		
12	压盖 Gland	WCB	ZG1Cr18Ni9Ti	ZG1Cr18Ni12Mo2Ti
13	螺栓 Screw	35	1Cr18Ni9Ti	1Cr18Ni9Ti
14	螺栓 Screw	35	1Cr18Ni9Ti	1Cr18Ni9Ti
15	连接支架 Connecting Yoke	1Cr18Ni9Ti	1Cr18Ni9Ti	1Cr18Ni9Ti
16	螺栓 Screw	35	1Cr18Ni9Ti	1Cr18Ni9Ti
17	连接套 Connecting Set	35	1Cr18Ni9Ti	1Cr18Ni9Ti
18	气动装置 Pneumatic Device	GT系列、AT系列、AW系列 GT Series, AT Series, AW Series		
19	位置指示器 Location Indicator	塑料 Plastic		

※注：球阀主要零部件及密封圈的材质可根据实际工况条件或用户特殊要求设计选用。
Note: The structural length and connecting flange size of ball valve series can be designed and manufactured as per users' requirements.

沪上冠海



沪上冠海

主要外形及连接法兰尺寸Q641F(N、P、H、Y)-PN16(1.6MPa) Main Outline and Connecting Flange Size

公称通径 Nominal diameter DN	外形尺寸 Outline Size				连接尺寸 Connecting size						执行器型号 Actuator Model
	L	L1	L2	-H	D	D1	D2	C	f	n-φd	
15	130	141/159	71/83	204/235	95	65	46	14	2	4-φ14	AT050D/AT063S
20	140	141/159	71/83	209/240	105	75	56	16	2	4-φ14	AT050D/AT063S
25	150	159/211	83/95	214/256	115	85	65	16	2	4-φ14	AT063D/AT075S
32	165	159/248	83/107	257/277	140	100	76	18	2	4-φ18	AT063D/AT075S
40	180	211/248	95/107	274/292	150	110	84	18	3	4-φ18	AT075D/AT088S
50	200	248/269	107/123	290/300	165	125	99	20	3	4-φ18	AT088D/AT100S
65	220	248/315	107/141	310/335	185	145	118	20	3	4-φ18	AT088D/AT115S
80	250	269/345	123/152	346/368	200	160	132	20	3	8-φ18	AT100D/AT125S
100	280	345/409	152/172	378/410	220	180	156	22	3	8-φ18	AT125D/AT145S
125	320	409/550	172/215	425/450	250	210	184	22	3	8-φ18	AT145D/AT190S
150	360	550/600	215/240	468/531	285	240	211	24	3	8-φ22	AT190D/AT210S
200	400	600/633	240/262	583/618	340	295	266	24	3	12-φ22	AT240D/AT240S

※注：球阀结构长度及连接法兰尺寸可根据JB/T79标准或用户要求设计制造。
 ※注：执行器型号XXX/XXX分别是气动执行器双作用式/单作用式(弹簧复位)。
 ※注：根据不同阀门扭矩、使用介质适配的执行器型号可能有所不同，相关尺寸随之变化。
 ※注：以上执行器配置及数据均采用软密封(F、N、P)阀门，硬密封阀门的配置及数据请咨询本公司。
 Note: The structural length and connecting flange size of ball valve series can be designed and manufactured as per JB/T79 standard or users' requirements
 Note: Data XXX/XXX represent respectively the double-acting/single-acting type(spring reposition)of pneumatic actuator
 Note: The relative sizes are subject to change responding to the difference in valve torque, medium and actuator model
 Note: the above actuator configuration and data all use soft-sealed valves (F, N, P) and hard-sealed valves, or consulting us if you have more questions.