

**技术规范 Technique norm**

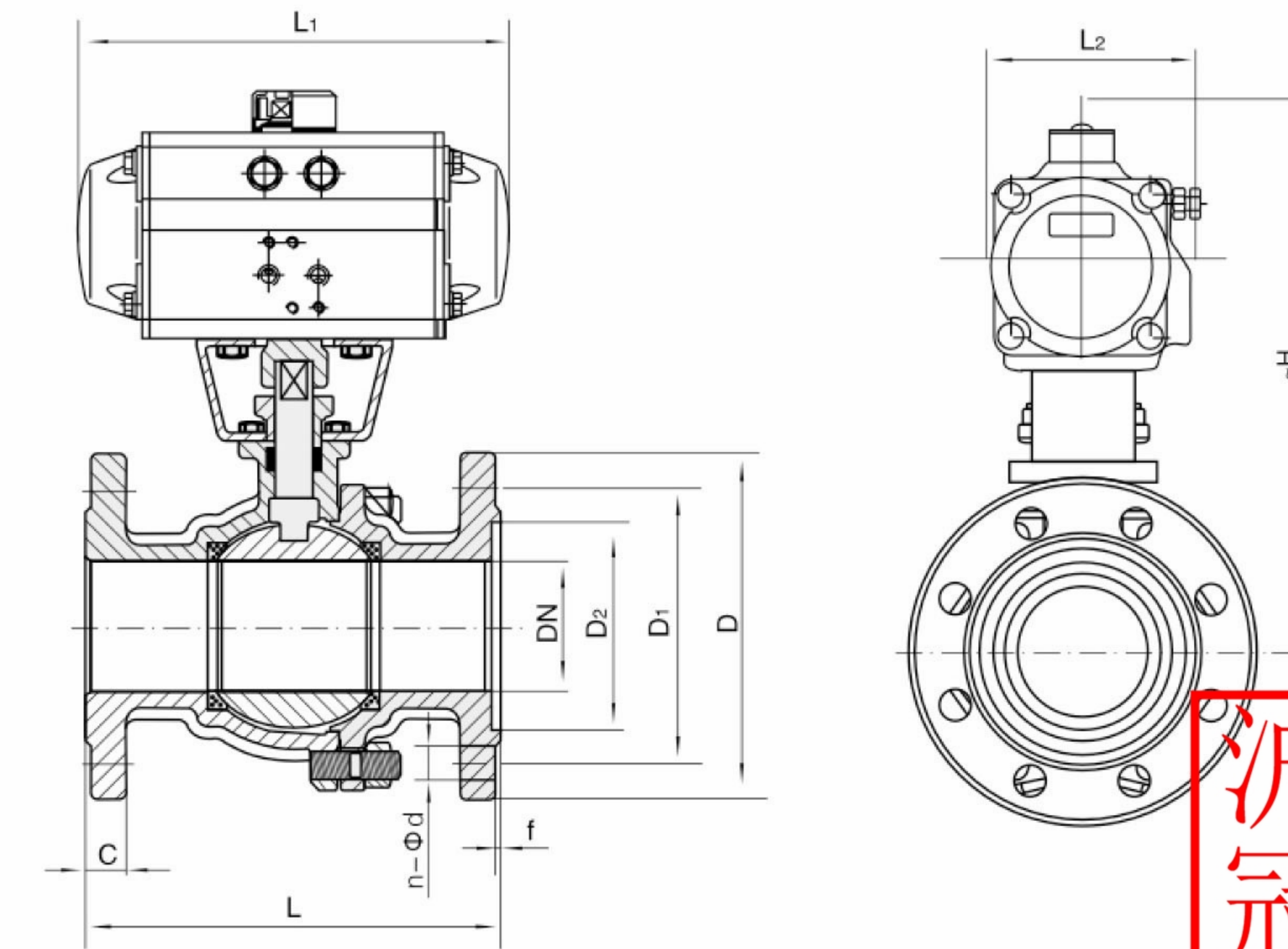
设计依据 Design Basis	JIS标准 Standard
设计标准 Design standard	BS5351
结构长度 Face to face dimension	法兰 连接 Flange connecting
连接法兰尺寸 Connecting Flange Size	JIS B2002
试验和检验 Test & inspection	JIS B2212、B2213、B2214
	JIS B2003

※注：球阀结构长度及连接法兰尺寸可根据用户要求设计制造。  
 Note: The structural length and connecting flange size of ball valve series can be designed and manufactured as per users' requirements.

**主要零件材质表 Form of Main Parts Materials**

序号 No.	零件名称 Name of parts	材质 Material		
		C	P	R
1	右阀体 Right valve	SCPH <sub>2</sub>	SCS13	SCS14
2	螺母 Nut	S35C	SUS304	SUS304
3	垫片 Gasket	PTFE、石墨金属复合垫 Graphite metal composite pad		
4	螺栓 Screw	S35C	SUS304	SUS304
5	阀体 Body	SCPH <sub>2</sub>	SCS13	SCS14
6	阀座 Seat	PTFE、尼龙(Nylon)、对位聚苯(PPL) 硬质合金 Hard Alloy		
7	球体 Ball	SUS304	SUS304	SUS316
8	阀杆 Stem	SUS410	SUS304	SUS316
9	垫片 Gasket	SUS304	SUS304	SUS316
10	填料 Packing	PTFE、柔性石墨 Flexible Graphite		
11	衬套 Bushing	PTFE复合轴承 Composite bearings		
12	压盖 Gland	SCPH <sub>2</sub>	SCS13	SCS14
13	螺栓 Screw	S35C	SUS304	SUS304
14	螺栓 Screw	S35C	SUS304	SUS304
15	连接支架 Connecting Yoke	SCS13	SCS13	SCS13
16	螺栓 Screw	S35C	SUS304	SUS304
17	连接套 Connecting Set	SCS13	SCS13	SCS13
18	气动装置 Pneumatic Device	GT系列、AT系列、AW系列 GT Series, AT Series, AW Series		
19	位置指示器 Location Indicator	塑料 Plastic		

※注：球阀主要零部件及密封圈的材质可根据实际工况条件或用户特殊要求设计选用。  
 Note: The main spare parts and sealing-ring materials of ball valve series can be designed for options as per real working conditions and users' special requirements.


**主要外形及连接法兰尺寸Q641F(N、P、H、Y)-10K Main Outline and Connecting Flange Size**

公称通径 Nominal diameter		外形尺寸 Outline Size				连接法兰尺寸 Connecting Flange Size						执行器型号 Actuator Model
mm	in	L	L1	L2	-H	D	D1	D2	C	f	n-φd	
15	1/2	108	141/159	71/83	204/235	95	70	50	12	1	4-φ15	AT050D/AT063S
20	3/4	117	141/159	71/83	209/240	100	75	58	14	1	4-φ15	AT050D/AT063S
25	1	127	159/211	83/95	214/256	125	90	70	14	1	4-φ19	AT063D/AT075S
32	1 1/4	140	211/248	95/107	257/277	135	100	80	16	2	4-φ19	AT075D/AT088S
40	1 1/2	165	248/269	107/123	274/292	140	105	85	16	2	4-φ19	AT088D/AT100S
50	2	178	248/269	107/123	290/300	155	120	100	16	2	4-φ19	AT088D/AT100S
65	2 1/2	190	269/345	123/152	310/335	175	140	120	18	2	4-φ19	AT100D/AT125S
80	3	203	315/345	141/152	346/368	185	150	130	18	2	8-φ19	AT115D/AT125S
100	4	229	345/409	152/172	378/410	210	175	155	18	2	8-φ19	AT125D/AT145S
125	5	356	409/438	172/187	425/450	250	210	185	20	2	8-φ23	AT145D/AT160S
150	6	394	438/600	187/240	468/531	280	240	215	22	2	8-φ23	AT160D/AT210S
200	8	457	600/633	240/262	583/618	330	290	265	22	2	12-φ23	AT210D/AT240S

※注：球阀结构长度及连接法兰尺寸可根据用户要求设计制造。  
 ※注：执行器型号XXX/XXX分别是气动执行器双作用/单作用(弹簧复位)。  
 ※注：根据不同阀门扭矩、使用介质适配的执行器型号可能有所不同，相关尺寸随之变化。  
 ※注：以上执行器配置及数据均采用软密封(F、N、P)阀门，硬密封阀门的配置及数据请咨询本公司。  
 Note: The structural length and connecting flange size of ball valve series can be designed and manufactured as per users' requirements.  
 Note: Data XXX/XXX represent respectively the double-acting/single-acting type (spring reposition) of pneumatic actuator.  
 Note: The relative sizes are subject to change responding to the difference in valve torque, medium and actuator model.  
 Note: the above actuator configuration and data all use soft-sealed valves (F, N, P) and hard-sealed valves, or consulting us if you have more questions.

