

**技术规范 Technique norm**

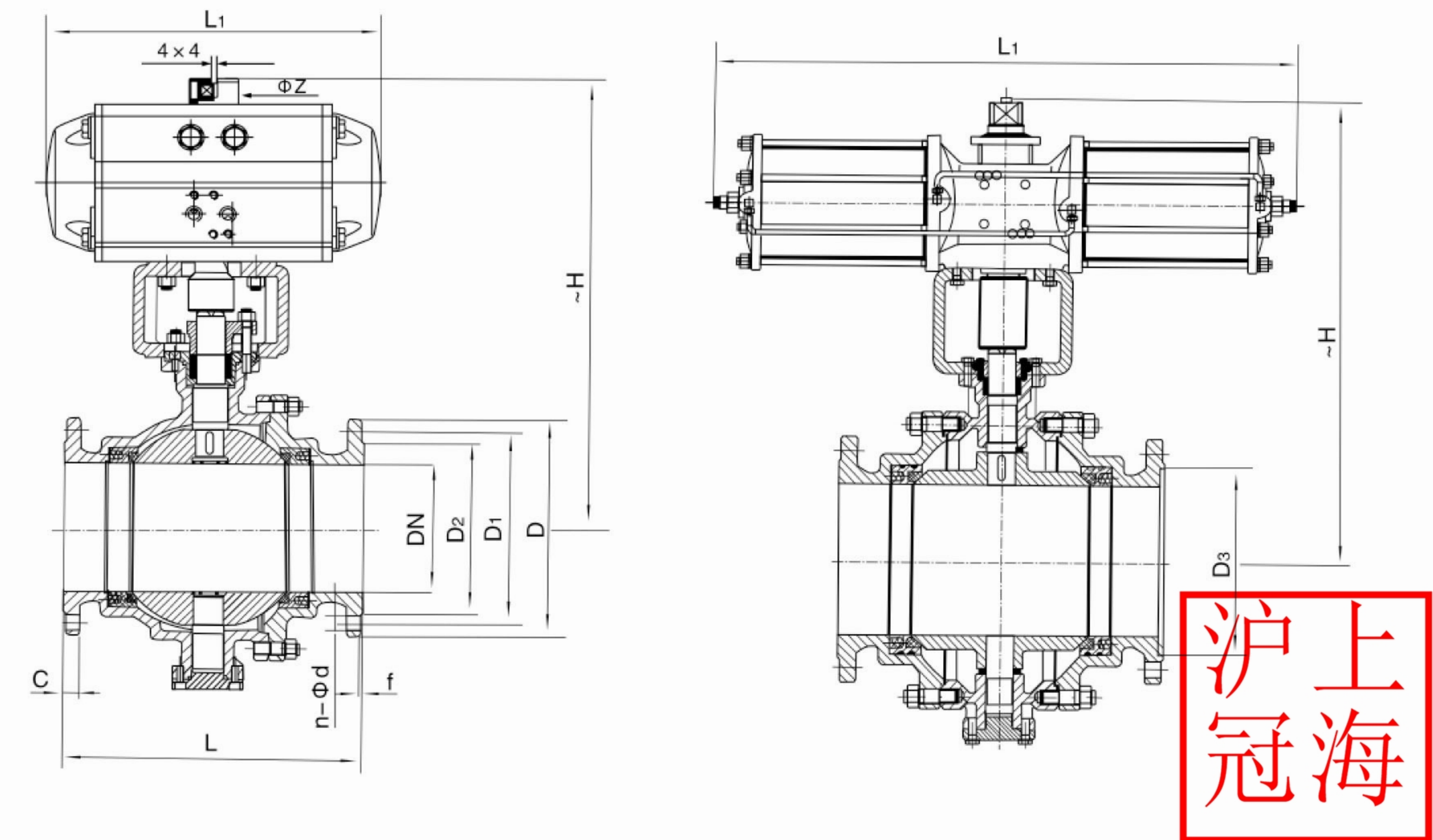
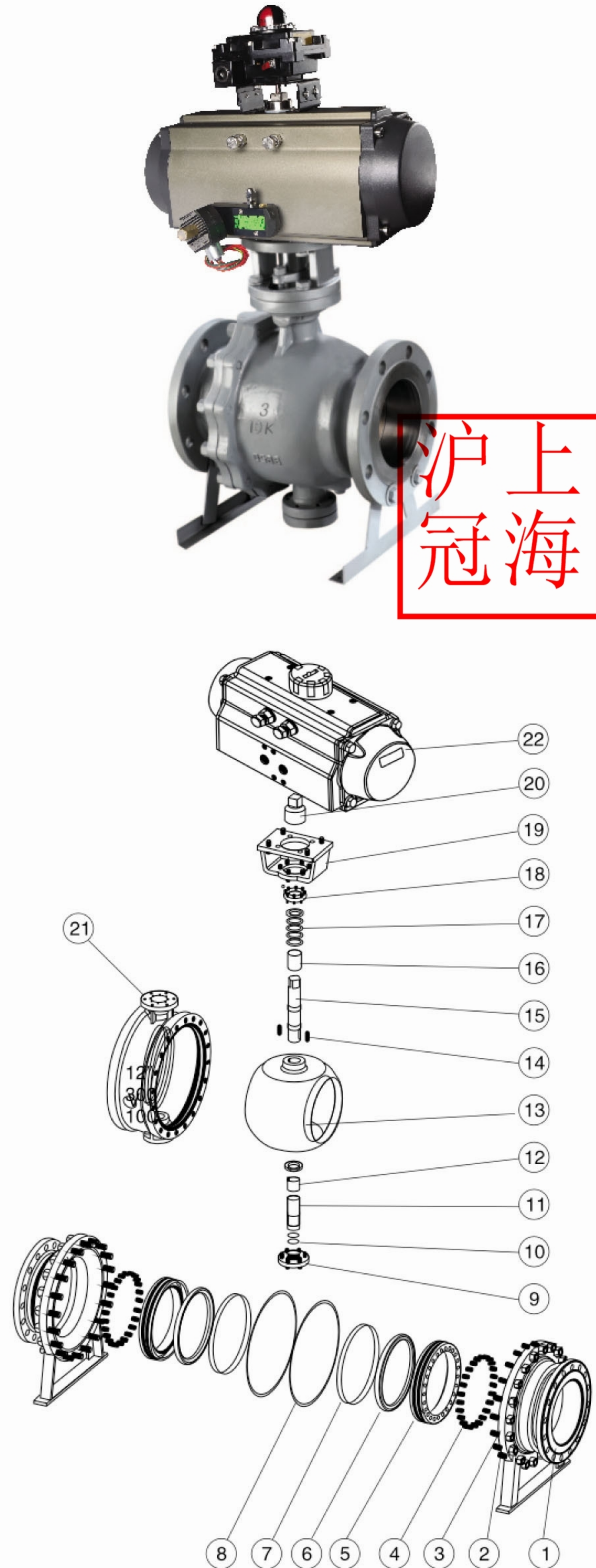
设计依据 Design Basis	JIS标准 Standard
设计标准 Design standard	BS35351
结构长度 Face to face dimension	法兰 连接 Flange connecting
连接法兰尺寸 Connecting Flange Size	JIS B2212、B2213、B2214
试验和检验 Test & inspection	JIS B2003

※注：球阀结构长度及连接法兰尺寸可根据用户要求设计制造。  
 Note: The structural length and connecting flange size of ball valve series can be designed and manufactured as per users' requirements.

**主要零件材质表 Form of Main Parts Materials**

序号 No.	零件名称 Name of parts	材质 Material		
		C	P	R
1	左右阀体 Body	SCPH <sub>2</sub>	SCS13	SCS14
2	螺栓 Screw	S35C	SUS304	SUS304
3	螺母 Nut	S35C	SUS304	SUS304
4	弹簧 Spring	60Si2Mo	SUS302	SUS316
5	阀座 Seat	SUS410	SUS304	SUS316
6	密封圈 Sealing ring	PTFE、尼龙(Nylon)、对位聚苯(PPL)、硬质合金 Hard Alloy		
7	O形圈 "O"Ring	橡胶Rubber、氟橡胶Viton		
8	垫片 Gasket	PTFE、石墨金属复合垫 Graphite metal composite pad		
9	法兰 Flange	SCPH <sub>2</sub>	SCS13	SCS13
10	垫片 Gasket	SUS304	SUS304	SUS316
11	下阀杆 Stem	SUS410	SUS304	SUS316
12	衬套 Bushing	PTFE复合轴承 Composite bearings		
13	球体 Ball	SUS304	SUS304	SUS316
14	键 Key	S35C	SUS304	SUS316
15	阀杆 Stem	SUS410	SUS304	SUS316
16	衬套 Bushing	PTFE复合轴承 Composite bearings		
17	填料 Packing	PTFE、柔 石墨 Flexible Graphite		
18	填料压盖 Gland	SCPH <sub>2</sub>	SCS13	SUS316
19	连接套 Connecton set	S35C	SUS304	SUS304
20	支架 Yoke	SCPH <sub>2</sub>	SCS13	SCS13
21	阀体 Body	SCPH <sub>2</sub>	SCS13	SCS14
22	气动执行器 Pneumatic Actuator	GT系列、AT系列、AW系列 GT Series, AT Series, AW Series		

※注：球阀主要零件及密封圈的材质可根据实际工况条件或用户特殊要求设计选用。  
 Note: The main spare parts and sealing-ring materials of ball valve series can be designed for options as per real working conditions and users' special requirements.


**主要外形及连接法兰尺寸 Q647F(N、P、H、Y)-10K Main Outline and Connecting Flange Size**

公称口径 Nominal diameter	外形尺寸 Outline Size	连接法兰尺寸 Connecting Flange Size									执行器型号 Actuator Model
		DN	in	L	L <sub>1</sub>	~H	D	D <sub>1</sub>	D <sub>2</sub>	C	
50	2	178	248/269	319/343	155	120	100	16	2	4-Φ19	AT088D/AT100S
65	2 1/2	190	248/269	363/387	175	140	120	18	2	4-Φ19	AT088D/AT100S
80	3	203	269/345	401/423	185	150	130	18	2	8-Φ19	AT100D/AT125S
100	4	229	345/438	471/528	210	175	155	18	2	8-Φ19	AT125D/AT160S
125	5	356	409/550	537/625	250	210	185	20	2	8-Φ23	AT145D/AT190S
150	6	394	438/600	574/652	280	240	215	22	2	8-Φ23	AT160D/AT210S
200	8	457	600/633	686/722	330	290	265	22	2	12-Φ23	AT210D/AT240S
250	10	533	633/730	759/789	400	355	325	24	2	12-Φ25	AT240D/AT270S
300	12	610	1180	801	445	400	370	24	3	16-Φ25	AW20/AW25S
350	14	686	1180	901	490	445	415	26	3	16-Φ25	AW20/AW28S
400	16	762	1320	960	560	510	475	28	3	16-Φ27	AW28/AW35S
500	20	914	1430	1068	675	620	585	30	3	20-Φ27	AW35/AW40S

※注：球阀结构长度及连接法兰尺寸可根据JB/T79标准或用户要求设计制造。  
 ※注：执行器型号XXX/XXX分别是气动执行器双作用/单作用(弹簧复位)。  
 ※注：根据不同阀门扭矩、使用介质适配的执行器型号可能有所不同，相关尺寸随之变化。  
 ※注：以上执行器配置及数据均采用软密封(F、N、P)阀门，硬密封阀门的配置及数据请咨询本公司。  
 Note: The structural length and connecting flange size of ball valve series can be designed and manufactured as per JB/T79 standard or users' requirements  
 Note: Data XXX/XXX represent respectively the double-acting/single-acting type (spring reposition) of pneumatic actuator  
 Note: The relative sizes are subject to change responding to the difference in valve torque, medium and actuator model  
 Note: the above actuator configuration and data all use soft-sealed valves (F, N, P) and hard-sealed valves or consulting us if you have more questions.