

主要外形及连接法兰尺寸 VQ670H(P、Y)–PN16、25(1.6、2.5MPa) Main Outline and Connecting Flange Size

公称通径 Nominal diameter DN	外形/连接尺寸 Outline/Connecting Size						执行器型号 Actuator Model
	L	L <sub>1</sub>	~H	H <sub>1</sub>	D	D <sub>1</sub>	
25	62	159/248	260/290	87	68	38	AT063D/AT088S
32	62	159/248	267/297	87	78	42	AT063D/AT088S
40	62	211/248	292/312	87	85	50	AT075D/AT088S
50	75	248/269	292/312	97	100	60	AT088D/AT100S
65	90	248/315	332/340	112	120	75	AT088D/AT115S
80	100	269/345	359/381	112	130	94	AT100D/AT125S
100	115	345/409	394/411	122	158	110	AT125D/AT145S
125	129	409/438	410/416	142	180	135	AT145D/AT160S
150	160	438/550	461/486	165	216	165	AT160D/AT190S
200	200	550/600	509/553	195	268	210	AT190D/AT210S
250	240	633/730	572/628	237	325	260	AT240D/AT270S

主要外形及连接法兰尺寸 VQ670H(P、Y)–Class Main Outline and Connecting Flange Size

公称通径 Nominal diameter DN		外形/连接尺寸 Outline/Connecting Size						执行器型号 Actuator Model
		L	L <sub>1</sub>	~H	H <sub>1</sub>	D	D <sub>1</sub>	
25	1	62	159/248	260/290	87	68	38	AT063D/AT088S
32	1 1/4	62	159/248	267/297	87	78	42	AT063D/AT088S
40	1 1/2	62	211/248	292/312	87	85	50	AT075D/AT088S
50	2	75	248/269	292/312	97	100	60	AT088D/AT100S
65	2 1/2	90	248/315	332/340	112	120	75	AT088D/AT115S
80	3	100	269/345	359/381	112	130	94	AT100D/AT125S
100	4	115	345/409	394/411	122	158	110	AT125D/AT145S
125	5	129	409/438	410/416	142	180	135	AT145D/AT160S
150	6	160	438/550	461/486	165	216	165	AT160D/AT190S
200	8	200	550/600	509/553	195	268	210	AT190D/AT210S
250	10	240	633/730	572/628	237	325	260	AT240D/AT270S

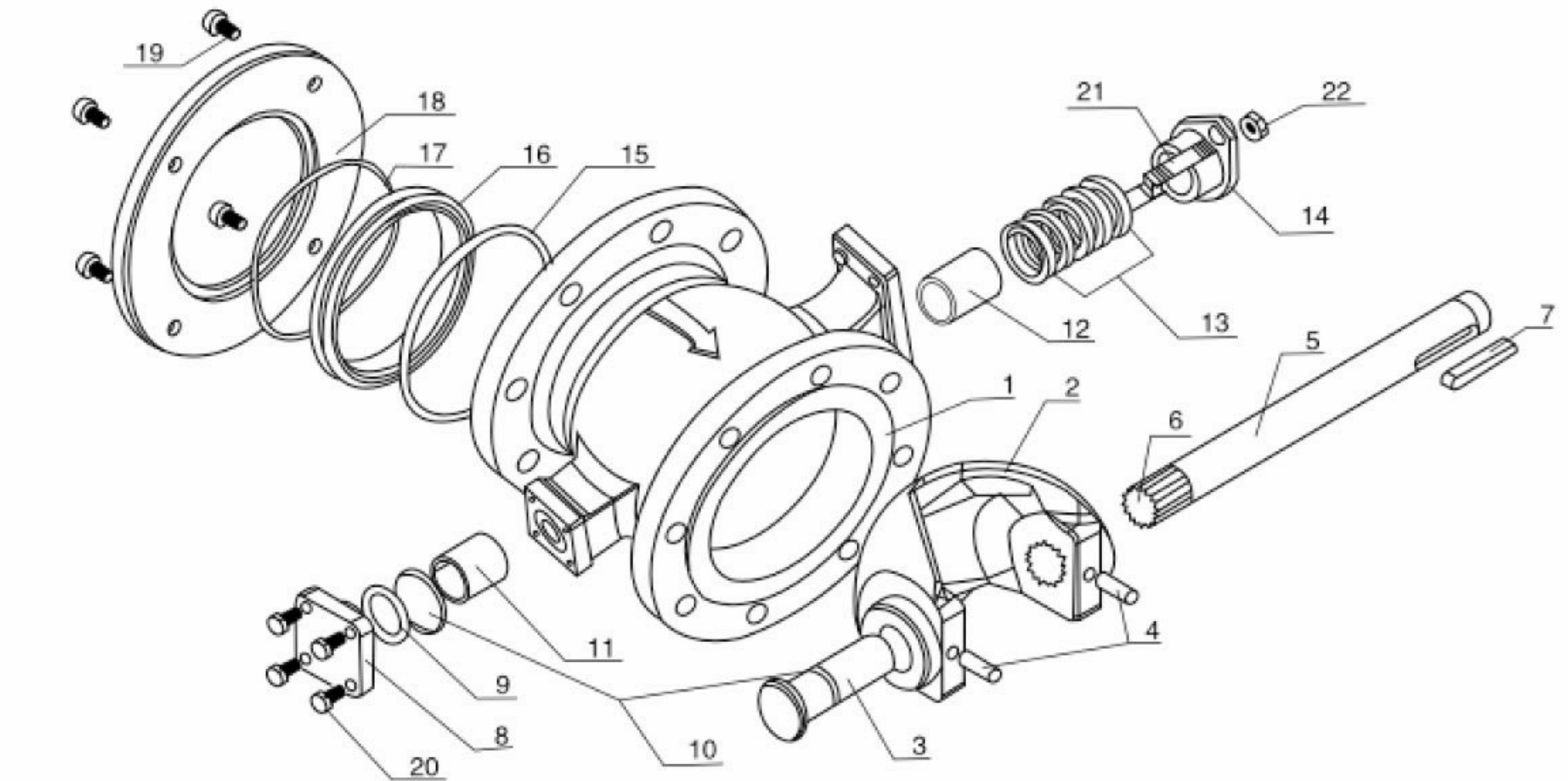
※注：球阀结构长度及连接法兰尺寸可根据JB/T79标准或用户要求设计制造。  
 ※注：执行器型号XXX/XXX 分别是气动执行器双作用式/单作用式(弹簧复位)。  
 ※注：根据不同阀门扭矩、使用介质适配的执行器型号可能有所不同，相关尺寸随之变化。  
 ※注：以上执行器配置及数据均采用软密封(F、N、P)阀门，硬密封阀门的配置及数据请咨询本公司。  
 Note: The structural length and connecting flange size of ball valve series can be designed and manufactured as per JB/T79 standard or users' requirements  
 Note: Data XXX/XXX represent respectively the double-acting/single-acting type(spring reposition)of pneumatic actuator  
 Note: The relative sizes are subject to change responding to the difference in valve torque, medium and actuator model

技术规范 Technical specification

设计依据 Design Basis	GB标准 Standard	ANSI标准 Standard
设计标准 Design standard	GB/12237	ANSI B16.34
连接法兰尺寸 Connecting Flange Size	GB/9113、JB/T79	ANSI B16.5
试验和检验 Test & inspection	JB/T9002	API 598



沪  
上  
冠  
海



零件清单 Parts List

序号No.	名称	Name	数量(件) Quantity (pieces)	材料 Material
1	阀体	Body	1	WCB、CF8、CF8M、CF3、CF3M
2	阀芯	Spool	1	CF8、CF8M+镀硬铬或超音速喷涂
3	后阀杆	After steam	1	17-4PH、SS316
4	圆柱销	Cylindrical pin	2	SS304、SS316
5	前阀杆	Before steam	1	17-4PH、SS316
6	花键	Spline	1	17-4PH、SS316
7	平键	Flat key	1	Ss304、45#
8	后压盖	After gland	1	CF8、CF8M
9	O形圈	"O"-Ring	1	氟橡胶 Viton
10	调整垫	Adjust pad	各1	PTFE
11	自润滑轴承	Self-lubricating bearings	1	复合材料 Composite material
12	自润滑轴承	Self-lubricating bearings	1	复合材料 Composite material
13	填料	Packing	1组	PTFE
14	填料压盖	Gland	1	CF8
15	O形圈	"O"-Ring	1	氟橡胶 Viton
16	密封座	Seal block	1	PTFE、SS304、SS316+镀硬铬或超音速喷涂
17	密封座弹簧	Seal block spring	1	SS316
18	密封座盖	Sealing lid	1	Q235、SS304、SS316
19	内六角螺钉	inner Hexagon screw		SS304
20	六角螺钉	Hexagon screw	4	SS304
21	双头螺钉	Double-headed screw	2	SS304
22	六角螺母	Hexagon nut	2	Ss304