

## 气动执行器系列

型号: AT(E) GT(E) AW(S)

供气压力: 双作用式: 3~8bar、单作用式: 4~8bar

结构: 旋转角度型

尺寸标准: ISO5211、DIV3337、VDI/VDE3845

缸体材质: 铝合金

缸体活塞和密封: 压铸铝合金和氟橡胶、丁腈橡胶

作用方式: 双作用、单作用(弹簧复位)

控制方式: 开关型、调节型

附件选择: 电磁阀、定位器、限位开关、气源处理三联件、手动机构等

### Pneumatic Actuators Series

Model: AT(E) GT(E) AW(S)

Supply gas pressure: Double-action type: 3~8 bar; single-action: 4~8 bar

Structure: Rotation angle type

Size standard: ISO5211, DIV3337, VDI/VDE3845

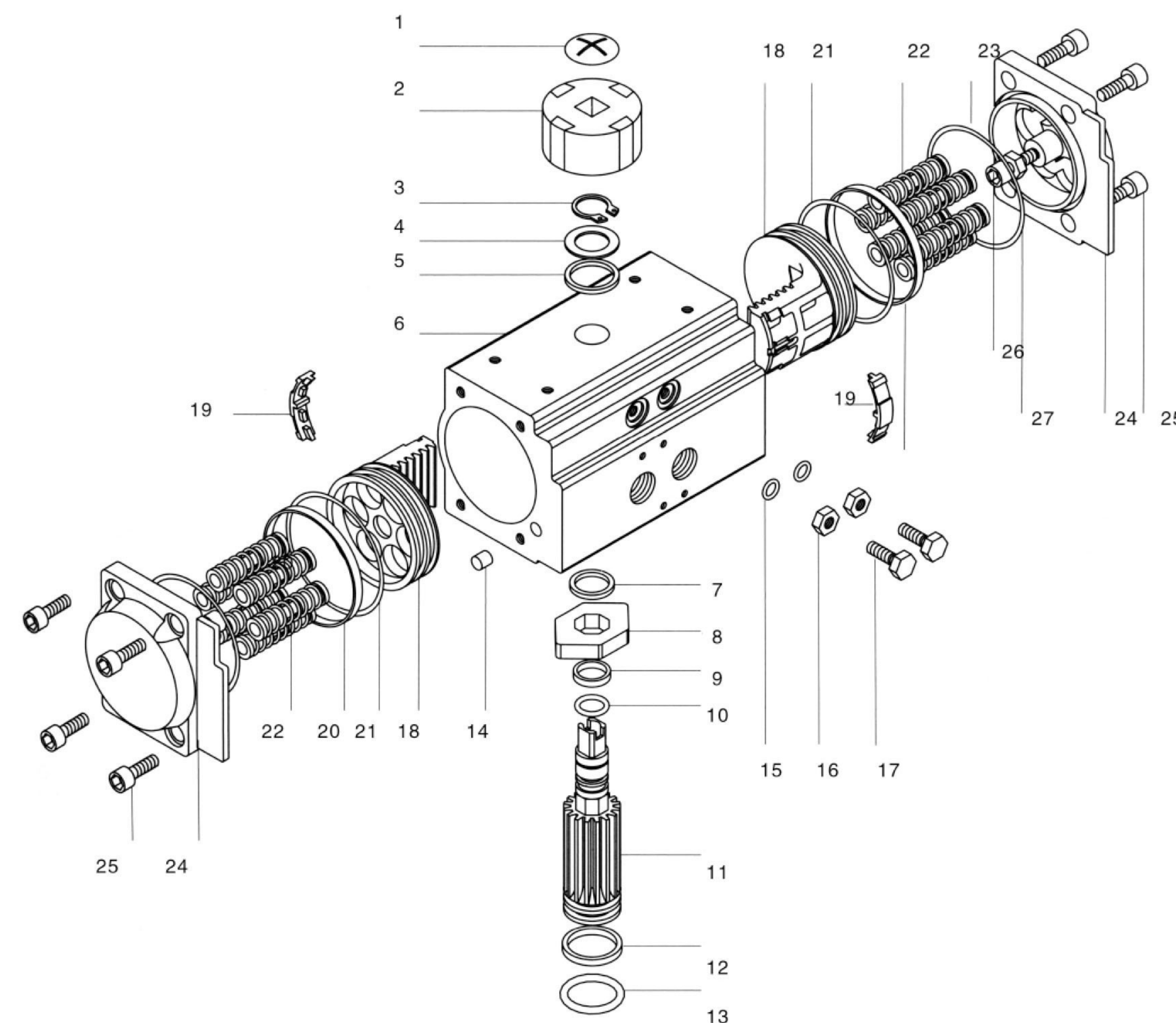
Cylinder body material: Aluminum alloy

Cylinder piston and seal: Die casting aluminum alloy and fluorine rubber, NBR

Action mode: Dual-action, single-action (spring-return)

Control mode: Switch type, regulating type

Accessory option: Solenoid valve, locator, limit switch, FRL for gas source treatment, manual mechanism etc.



### 特点

AT/ATE气动执行器行程为90°、120°、135°，分双作用形式和单作用弹簧复位式，不同行程的气动执行器可根据要求生产。

AT气动调节角度为正面螺栓调节，一般与蝶阀、球阀、旋塞阀等旋转型阀门配套使用。

### 技术参数

工作介质: 清洁干燥的空气和惰性气体，只要和执行器内部零件和润滑剂兼容的非腐蚀性气体；

工作气源压力: 双作用式: 3~8bar; 单作用式: 4~8bar。

工作温度: 常温型: -20~80℃ (丁腈橡胶O型圈);

高温型: -29~160℃ (氟橡胶O型圈);

低温型: -40~80℃ (硅橡胶O型圈);

回转角度: 标准型: 90±5°、非标准型0~180°;

输出扭矩: 双作用: 3.9~10560N.m、单作用: 8.5~4858N.m;

接口螺纹: SAT32 = G1/8"、SAT52~240 = G1/4"、

SAT270~400 = G1/2"。

### Features

AT/ATE pneumatic actuators have travel 90 °, 120 ° or 135 °. There are dual-action type and single-action spring return type. Pneumatic actuators with specific travel can be manufactured as required.

AT pneumatic angle adjustment is front bolt adjustment. It is generally used together with rotary valves like butterfly valve, ball valve and plug valve.

### Technical Parameters

Working medium: Clean and dry air or inert gas, non-corrosive gas compatible with internal parts and the lubricant of the actuator;

Working gas source pressure: Double-action type: 3~8 bar; single-action: 4~8 bar.

Working temperature: Room temperature type: -20~80℃ (nitrile rubber O-rings);

High temperature type: -29~160℃ (fluorine rubber O-rings);

Low temperature type: -40~80℃ (silicon rubber o-rings);

Rotary angle: Standard type: 90±5°, Non-standard type: 0~180°;

Output torque: Dual-action: 3.9~10560 N.m, single-action: 8.5~4858 N.m

Connection thread: SAT32 = G1/8", SAT52~240 = G1/4",

SAT270~400 = G1/2".