

### 阀座密封材料温度额定值 Temperature Rating of Seat Sealing Material

代号 Code	材料 Material	适用温度(°C)Applicable Temperature
F	增强聚四氟乙烯 Reinforced Polytetrafluoroethylene(PTFE)	-40~180
P	对位聚苯 Para-position polyphenylene	-40~300
N	尼龙 Nylon	-20~80
Y	硬质合金 Hard Alloy	-40~425

### 附件的选项 Selection of Accessories

根据不同控制和要求可选择下列附件:

**切断型附件:** 单电控电磁阀、双电控电磁阀、限位开关回讯器。

**调节型附件:** 电气定位器、气动定位器、电气转换器。

**气源处理附件:** 空气过滤减压阀、气源处理三联件。

**手动机构:** Mini MOD系列

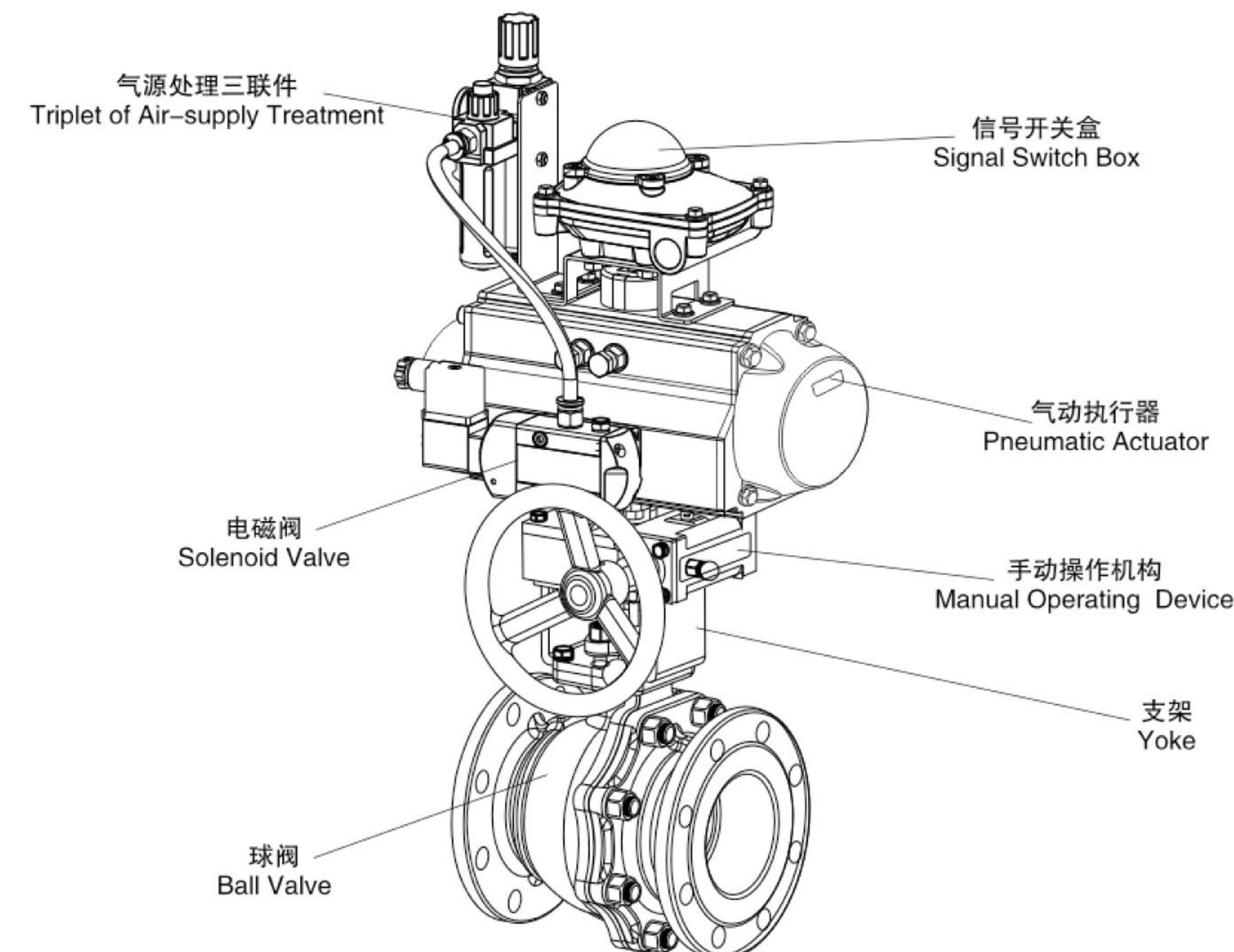
According to the different control and the request can choose the following accessories:

**Cut-off Accessories:** single electrically-controlled magnetic valve, double electrically-controlled Solenoid valve, signal saver of limit switch.

**Adjusting Accessories:** electropneumatic positioner, pneumatic positioner, electric-pneumatic converter.

**Air-supply Treatment Accessories:** air-filtering reducing valve, F.R.L. COMBINATION UNIT.

**Manual Device:** Mini MOD Series



### 气动法兰式浮动球阀

型号: Q641F(N, P, H, Y)

口径: DN15~300mm

压力: 1.6、2.5、4.0、6.4MPa; 150Lb、300Lb、600Lb; 10K、20K

结构: 浮动式

尺寸标准: 国标、美标、日标

阀体材质: 碳钢(WCB)、不锈钢(CF8、CF8M、CF3、CF3M)

阀座材料: 聚四氟乙烯(F)、对位聚苯PPL(P)、尼龙(N)、硬质合金(H、Y)

作用方式: 双作用、单作用(弹簧复位)

控制方式: 开关型、调节型

附件选择: 电磁阀、定位器、限位开关、气源处理三联件、手动机构

Pneumatic Flanged ball valve

Model: Q641F(N,P,H,Y)

Bore: DN15~300MM

Pressure: 1.6, 2.5, 4.0, 6.4Mpa; 150Lb, 300Lb, 600Lb;

10K, 20K

Structure: Floating

Dimension standard: GB, American Standard,

Japanese Standard

Body material: Carbon steel (WCB),

Stainless steel (CF8, CF8M, CF3, CF3M)

Seat material: PTFE, PPL, N, H, Y

Mode of action: the double-acting/single-acting

type(spring reposition) of pneumatic actuator

Control: Switch type, Adjust type

Selection of Accessories: solenoid valve, Locator,

Limit switch, F.R.L. COMBINATION UNIT, Manual Device.

