

**特点 Features**

AW系列气动执行器分为双作用和单作用弹簧复位式，两边分气缸输出扭矩大，适用于大口径球阀、蝶阀等角行程阀门的开启和关闭及调节型。

AW series pneumatic actuators are divided into double-action type and single-action spring return type; with large output torque of branch cylinders at both sides, it is applicable to opening, closing and regulating angular travel valves like large diameter ball valve and butterfly valve.

**Technical Parameters**

Working medium: Clean and dry air or inert gas, non-corrosive gas compatible with internal parts and the lubricant of the actuator;  
Working gas source pressure: Double-action type: 3-8 bar; single-action: 4-8 bar.  
Working temperature: Room temperature type: -20~80°C (nitrile rubber O-rings); High temperature type: -29~160°C (fluorine rubber O-rings); Low temperature type: -40~80°C (silicon rubber o-rings);  
Rotary angle: Standard type: 90±5°C, Non-standard type: 0~180°C;  
Output torque: Daul-action: 560~57860N.m, single-action: 240~28910N.m;  
Air interface: G1/4", G3/8", G1/2", G1".

**技术参数**

工作介质: 清洁干燥的空气或惰性气体, 只要和执行器内部零件和润滑剂兼容的非腐蚀性气体;  
工作气源压力: 双作用式: 3~8bar; 单作用式: 4~8bar。  
工作温度: 常温型: -20~80°C (丁腈橡胶O型圈); 高温型: -29~160°C (氟橡胶O型圈); 低温型: -40~80°C (硅橡胶O型圈);  
回转角度: 标准型: 90±5°C、非标准型0~180°C;  
输出扭矩: 双作用: 560~57860N.m、单作用: 240~28910N.m;  
气源接口: G1/4", G3/8", G1/2", G1"。

**零件和材料**

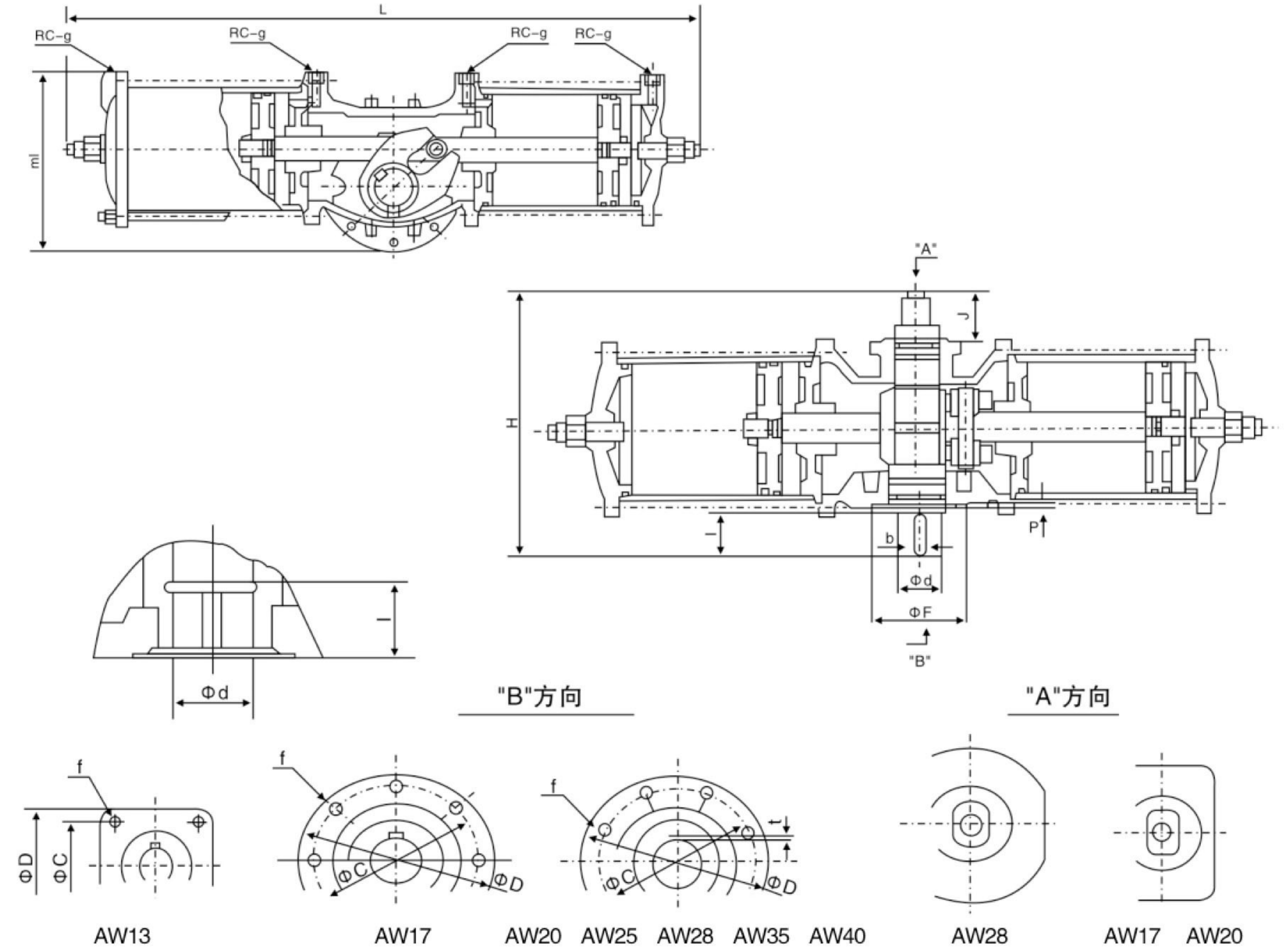
序号	名称	数量	序号	名称	数量
1	箱体	1	20	锁紧螺母	2
2	拨叉	1	21	弹性挡圈	1
3	转轴	1	22	减磨垫圈	1
4	隔板	2	23	O型圈	1
5	活塞	2	24	O型圈	1
6	缸体	2/3	25	减磨垫圈	1
7	缸盖	2	26	弹性挡圈	1
8	活塞杆	1	27	平键	1
9	弹簧	1/2/4	28	O型圈	2
10	弹簧缸	1	29	定位销	2
11	销轴	1	30	紧固螺钉	1
12	滚套	2	31	锁紧螺母	2
13	弹性挡圈	2	32	平垫圈	2
14	无油轴承	2	33	O型圈	2
15	O型圈	2	34	调节螺钉	1
16	导向环	2	35	螺母	8
17	O型圈	2	36	弹性垫圈	8
18	O型圈	2	37	平垫圈	8
19	O型圈	2	38	双头螺栓	8

**Parts and materials**

No.	Name	Qty	No.	Name	Qty
1	Enclosure	1	20	Lock Nut	2
2	Fork	1	21	The Elastic Ring	1
3	A Shaft	1	22	Antifriction Gaskets	1
4	Partition	2	23	O-ring	1
5	The Piston	2	24	O-ring	1
6	Cylinder Block	2/3	25	Antifriction Gaskets	1
7	Cylinder Head	2	26	The Elastic Ring	1
8	The Piston Rod	1	27	Flat Key	1
9	Spring	1/2/4	28	O-ring	2
10	Spring Cylinder	1	29	The Positioning Pin	2
11	Pin	1	30	Fastening Screw	1
12	Roll Sleeve	2	31	Lock Nut	2
13	Elastic Ring	2	32	Flat Washer	2
14	Without Oil Bearing	2	33	O-ring	2
15	O-ring	2	34	Adjust The Screw	1
16	Guide Ring	2	35	Nut	8
17	O-ring	2	36	Elastic Washer	8
18	O-ring	2	37	Flat Washer	8
19	O-ring	2	38	Stud	8

注: AW型执行器详细资料请向本公司索取产品说明书。 Note: AW type actuator details please refer to our company for product manuals.

**AW外形图 Contour Map**



**双作用式外形尺寸 Overall dimensions for dual-action type**

型号Model	L	ml	H	φC	φD	f	φd	l	φF	p	b	t
AW13	640	201	266	100	132	4-M16	42	37	80	4	12	3.5
AW17	827	270	348	160	190	8-M16	50	60	120	4	14	3.5
AW20	1161	350	425	200	232	8-M16	64	74	140	4	18	4
AW25	1270	405	475	240	280	8-M20	76	88	180	4	22	4.5
AW28	1380	460	527	280	318	8-M20	85	100	220	4	25	5
AW35	1860	545	440	300	350	8-M24	105	100	235	10	28	6.4
AW40	2120	580	460	320	380	12-M28	118	120	250	12	30	6.4

**双作用式输出扭矩(N.M) Output torque for dual-action type (N.M)**

型号Type 规格Specifications	气源压力 Air pressure MPa				
	0.3	0.4	0.5	0.6	0.7
AW13	515	620	770	930	1080
AW17	950	1270	1590	1910	2230
AW20	2150	2870	3580	4300	5020
AW25	3970	5320	6750	8150	9570
AW28	5150	6860	8580	10300	12020
AW35	10120	13500	16870	20250	23620
AW40	13220	17630	22040	26450	30860